



MCL250

Great optical efficiency

The MCL250 lantern is fitted with LED diodes of high intensity and low consumption, reaching a nominal range up to 11 nautical miles.

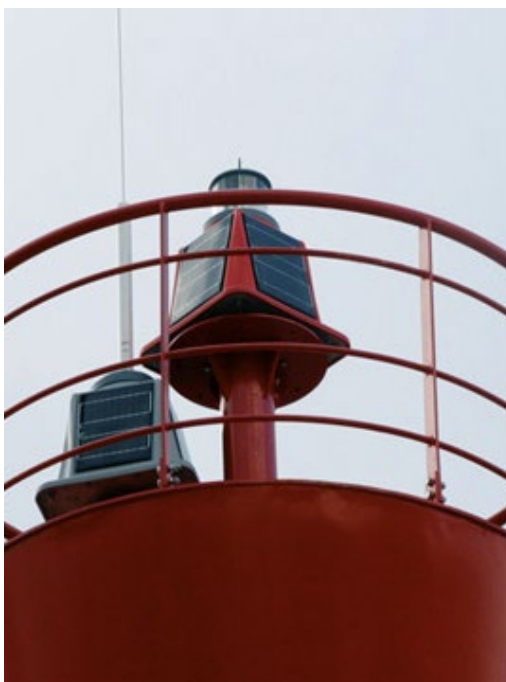
Wide remote control options

This lantern is ready to integrate different remote monitoring systems through GSM, UHF or satellite communications.

Long battery life

With a wide range of battery capacities up to 66 Ah, the MCL250 lantern has an autonomy over 450 hours of operation, which allows to ensure the lantern's performance and its energy availability in the most demanding conditions.

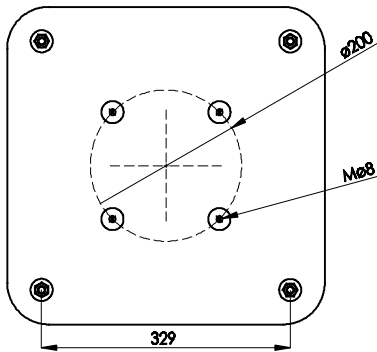
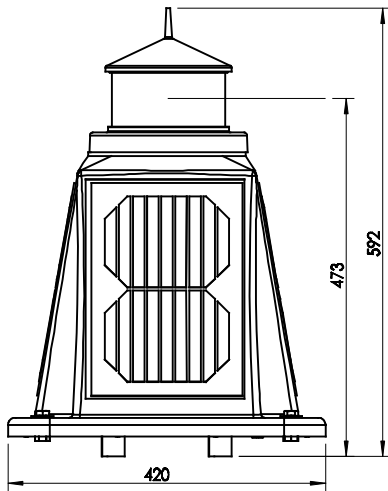
Designed according to IALA Recommendations.



FEATURES

- *High-efficiency luminous system.*
Up to 11 nm ($T=0.74$), 15 nm ($T=0.85$).
- *Vertical divergence up to 12° (50% I_0).*
- *360° horizontal output.*
- *Average operation lifetime over 10 years.*
- *IP 68 watertightness degree (immersion resistant).*
- *Double RS-232 serial port for setting adjustments by PC and remote monitoring system.*
- *Programming, configuration and operating status via PC, Bluetooth or IR programmer as an option.*
- *Ready to integrate remote monitoring via GSM, UHF or satellite, synchronization via GPS or AIS AtoN module.*
- *Autonomy without solar charging up to 700 hours.*
- *Automatic energy management, according to solar radiation.*
- *4 nos. solar modules of 7.5 W each.*
- *PATENTED OPTICAL SYSTEM.*

MCL250



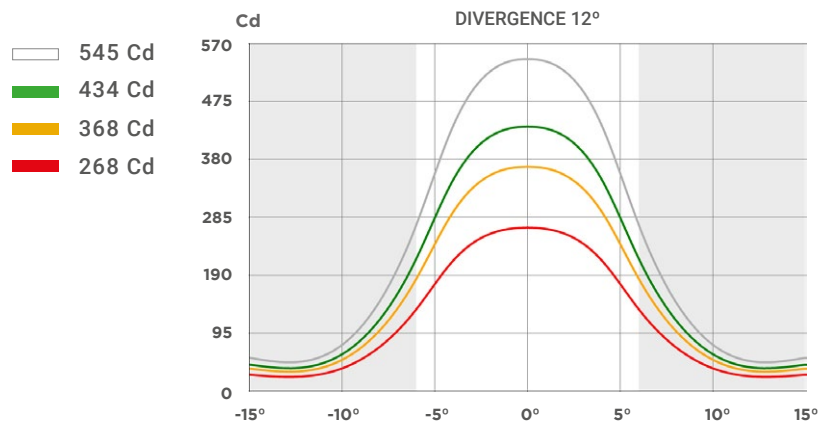
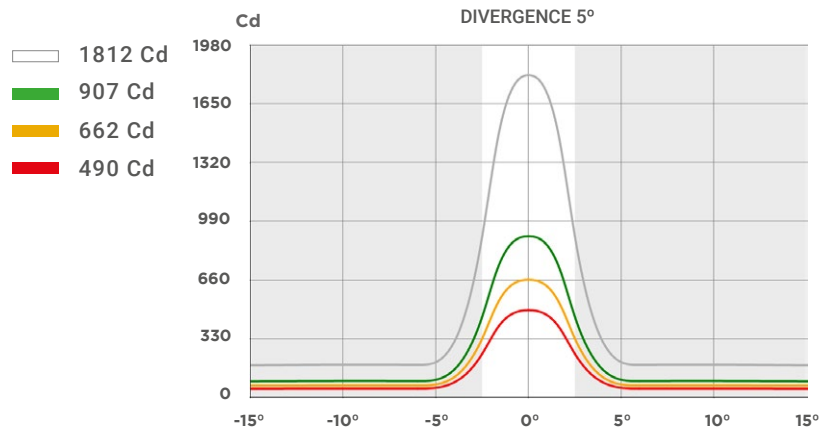
Technical Features

Light source:	Ultra-bright LED diodes, with high-precision acrylic lenses.
LED average life:	More than 100,000 hours.
Flash rhythms:	256 rhythms (6 nos. user selectable).
Solar module:	4 nos. of 7.5 W.
Battery:	Up to 66 Ah, Lead Crystal®, maintenance-free.
Base:	Reinforced polyamide and rotomoulded polyethylene.
Lens cover:	UV stabilised acrylic.
Watertightness degree:	IP 68.

Options

- Infrared (IR) programmer.
- Fixing kit for 4 bolts in a 367 mm diameter.
- Other specifications available under request.
- Other battery capacities available.
- MCL250-SYNC (GPS synchronization).
- MCL250-TG (GSM remote control).
- MCL250-TR (Radio remote monitoring).
- MCL250-TS (Satellite remote monitoring).
- MCL250-AIS (AIS AtoN).

Peak intensities (Cd)



! Specifications subject to change without previous notice.
Luminous ranges will be affected depending on latitude, flash rhythms and chosen options.